

BELLA WALL HUNG BASIN

Cat. No.
4-90X



Faucet not included



Mounting hardware

W: 24"
D: 20-1/8"
H: 9-5/8"

Interior Dimensions:

Basin Interior: 19-3/8" X 14-1/2"
Basin Depth: 8-1/4"
Mount holes cc: 4-3/4"
Back to drain: 6"
Back to center faucet: 1-3/4"

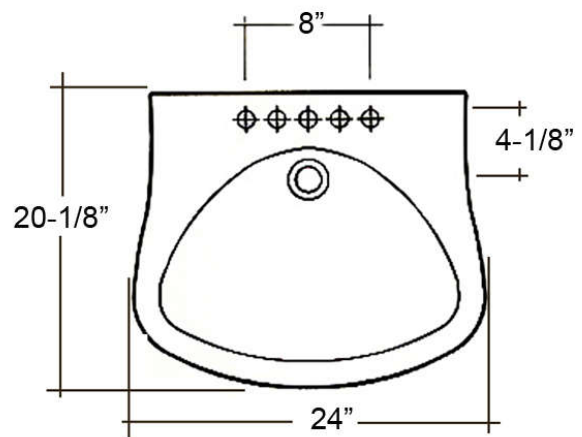
Features:

- ▶ Made of Vitreous China
- ▶ Available with 1 hole (4-901) , 4"cc (4-904) or 8" widespread (4-908)
- ▶ Handicap accessible
- ▶ No Overflow
- ▶ Mounting hardware included

Colors:

WH White

Meets or exceeds the following specifications: ASME A112.19.2 2013 and CSA B45.1-13 for ceramic plumbing fixtures.



Dimensions of fixture are nominal and may vary within the range of tolerances established by ANSI Standard A112.19.2.2013 Dimensions and specifications subject to change without notice.